

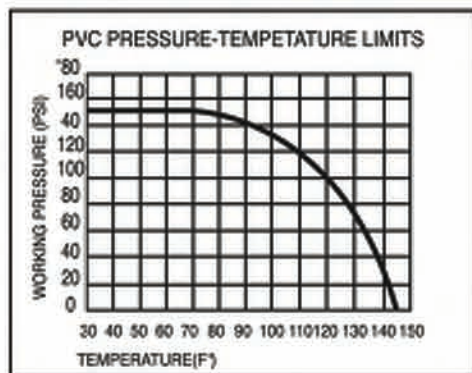
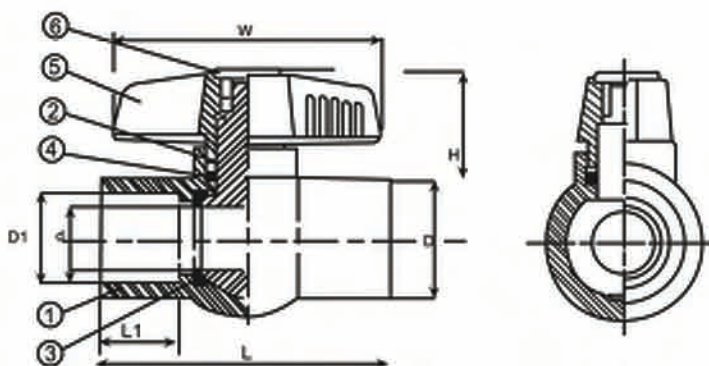


# PVC Ball Valve NPT or Socket

**SERIES # 400**

150 psi.

- Large port opening
- For use with schedule 40 or 80 pipe
- Quarter turn open or closed
- Threaded ends comply with ANSI B1.20.1
- Solvent ends comply with ASTM D2466



No.	Part	PCS	Materials
1	Body	1	PVC
2	One Piece Ball & Stem	1	PVC
3	Seat	2	Buna or Teflon
4	O-Ring	1	EPDM
5	T-Handle	1	PVC
6	Cap	1	ABS

Nominal Size	Part # Socket	Part # Thread	d2 Socket	d1 Thread	d	L1	L	W	H	D	Test Press psi
1/2"	400.005	401.005	0.84	NPT 1/2	0.56	0.87	3.07	2.73	1.83	1.24	225
3/4"	400.007	401.007	1.05	NPT 3/4	0.73	1.00	3.58	3.11	2.04	1.51	225
1"	400.010	401.010	1.32	NPT 1	0.94	1.15	4.25	3.89	2.55	1.76	225
1-1/4"	400.012	401.012	1.66	NPT1-1/4	1.17	1.27	4.80	4.40	2.81	2.14	225
1-1/2"	400.015	401.015	1.90	NPT1-1/2	1.33	1.37	5.37	4.40	2.93	2.37	225
2"	400.020	401.020	2.38	NPT 2	1.74	1.51	5.78	5.43	3.28	2.98	225

Note: Design subject to change without notice

Size	d	d1	d2	L	L1	H	W	D	NPT
2-1/2"	58	73.56	72.85	217	59	123	219	125	8
3"	68	89.51	88.70	234	59	127	219	139	8
4"	90	114.96	114.07	298	79	147	249	169	8
6"	128	169.00	168.00	495	148	172	300	237	8