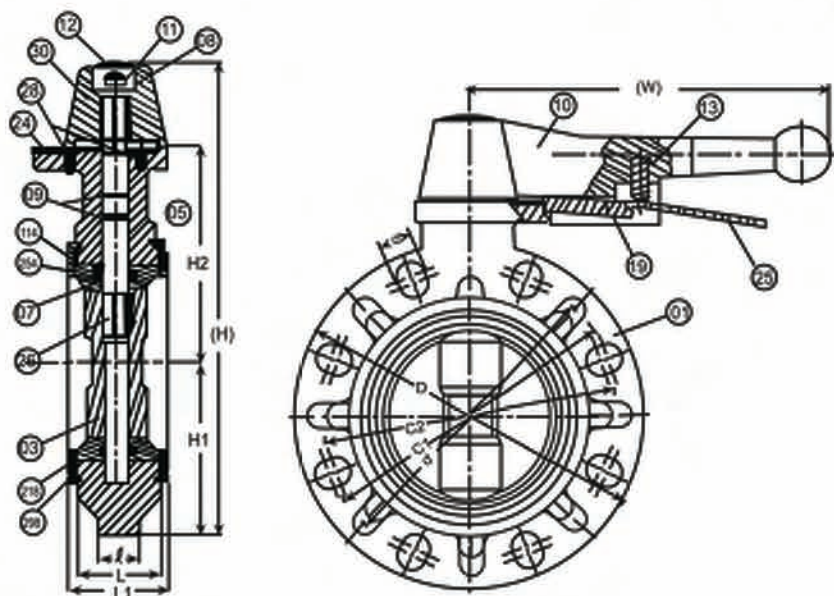


PVC Wafer Type Butterfly Valve

SERIES # 405

150 psi.

- Maximum working pressure: 150 psi
- Water pressure test: 300 psi
- Seat test: water 180 psi, Air 90 psi



No.	Part	PCS	Materials
1	Body	1	PVC
3	Disc	1	PVC
5	Stern	1	SS410
7	Liner	1	NBR
8	Washer	1	SS304
9	"O" Rings	1	NBR
10	Handle	1	ABS
11	Nut	1	SS304
12	Cap	1	ABS
13	Spring	1	SS316

No.	Part	PCS	Materials
19	Wedge	1	SS304
24	Plate	1	SS410
25	Lever	1	SS304
*26	Cover	1	SS410
27A	Seal	1	Buna
27B	Seal	1	Buna
28	Screw	4	SS410
29A	"O" Rings	1	NBR
29B	"O" Rings	1	NBR
*30	Handle	1	SS410

Part No.	Size	d	C1	C2	h	H	H1	H2	L	L1	I	D	W
405-020	2	2.17	4.92	4.72	0.75	8.86	3.15	3.66	1.77	2.13	0.79	6.30	8.46
405-030	3	3.15	6.30	5.91	0.75	10.16	3.84	4.29	1.97	2.32	0.87	7.68	8.46
405-040	4	4.09	7.50	6.89	0.75	11.61	4.43	5.12	1.97	2.32	0.94	8.86	8.46
405-050	5	5.47	8.50	8.27	0.91	13.19	5.09	5.91	2.17	2.60	0.94	10.04	11.42
405-060	6	5.91	9.50	9.45	0.91	14.13	5.51	6.38	2.36	2.80	1.02	11.02	11.42