

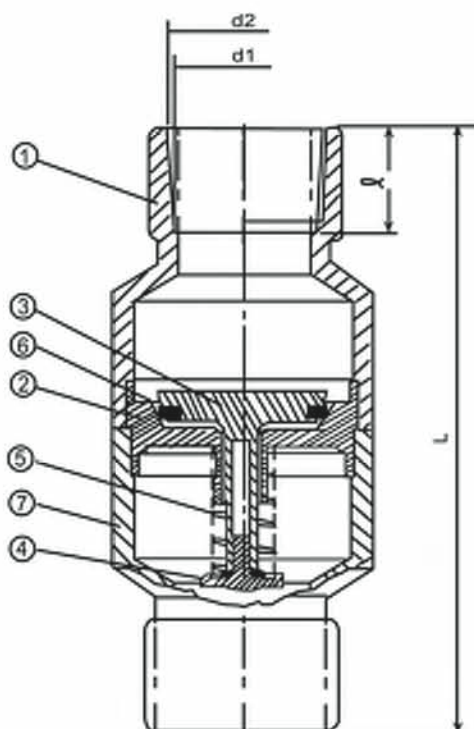


PVC In-Line Spring Check Valve

SERIES # 450

150 psi.

- Full port opening
- For use with schedule 40 or 80 pipe
- Threaded ends comply with ANSI B1.20.1
- Solvent ends comply with ASTM D2466



No.	Part	PCS	Materials
1	Upper Body	1	PVC
2	Connector Seat	1	PVC
3	Spigal	1	PVC
4	Cup	1	PVC
5	Spring	1	Stainless Steel
6	Seal	1	EPDM
7	Lower Body	1	PVC

Nominal Size	Part #	d2 Socket	d1 Thread	L	I
1/2"	450.005	0.83	0.84	4.14	0.68
3/4"	450.007	1.04	1.05	4.14	0.71
1"	450.010	1.30	1.32	5.45	0.87
1-1/4"	450.012	1.64	1.66	6.25	0.93
1-1/2"	450.015	1.88	1.90	7.00	1.08
2"	450.020	2.35	2.37	8.13	1.15

Note: Design subject to change without notice