



Full Port Brass Ball Valves (IPS)

600 WOG

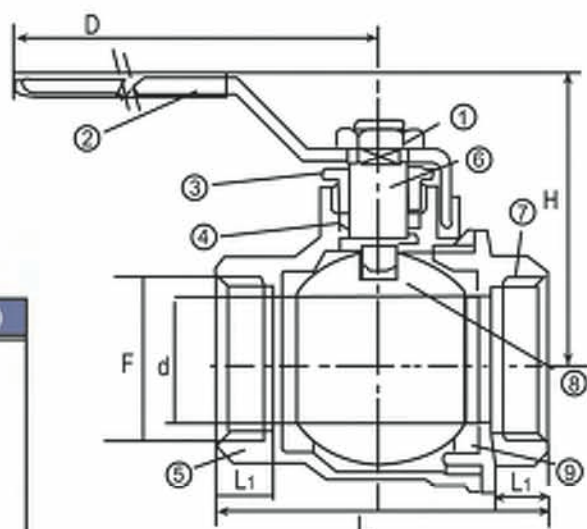
No.	Part	Materials
1	Handle Nut	Steel, Brass plates
2	Lever Handle	Chrome plated steel
3	Packing Nut	Brass Rod
4	Gland Packing	Teflon
5	Body	Cast Brass, Chrome Plated
6	Stem	Brass Rod
7	End Piece	Cast Brass, Chrome plated
8	Ball	Brass polished, Chrome plated
9	Ball Seat	Teflon

Size	D	H	L	d	L1	W(Lbs)
1/2"	2.25	1.23	1.25	0.375	0.33	0.43
3/4"	2.25	1.38	1.43	0.500	0.35	0.64
4"	3.00	1.65	1.75	0.625	0.43	1.13
1-1/4"	3.00	1.95	2.05	0.800	0.43	1.58
1-1/2"	3.50	2.30	2.28	1.000	0.43	2.27
2"	3.50	2.55	2.63	1.250	0.48	3.56
2-1/2"	6.00	2.90	3.40	1.600	0.65	7.60
3"	6.00	3.20	4.00	1.975	0.70	11.89
4"	6.50	3.75	4.70	2.500	0.78	18.00

Brass Valves

SERIES # 600

Dimensions in Inches



Full Port Brass Ball Valves (CxC)

400 WOG

No.	Part	Materials
1	Handle Nut	Steel, Brass plates
2	Lever Handle	Chrome plated steel
3	Packing Nut	Brass Rod
4	Gland Packing	Teflon
5	Body	Cast Brass
6	Stem	Brass Rod
7	End Piece	Cast Brass
8	Ball	Brass polished, Chrome plated
9	Ball Seat	Teflon

Size	D	H	L	d	L1	W(Lbs)
1/2"	2.28	1.20	1.25	0.375	0.53	0.47
3/4"	2.28	1.33	1.43	0.500	0.70	0.73
1"	3.08	1.58	1.75	0.625	0.86	1.18
1-1/4"	3.08	1.78	2.05	0.800	1.03	1.78
1-1/2"	3.63	2.30	2.28	1.000	1.19	2.78
2"	3.63	2.55	2.63	1.250	1.52	41.1

SERIES # 605

