



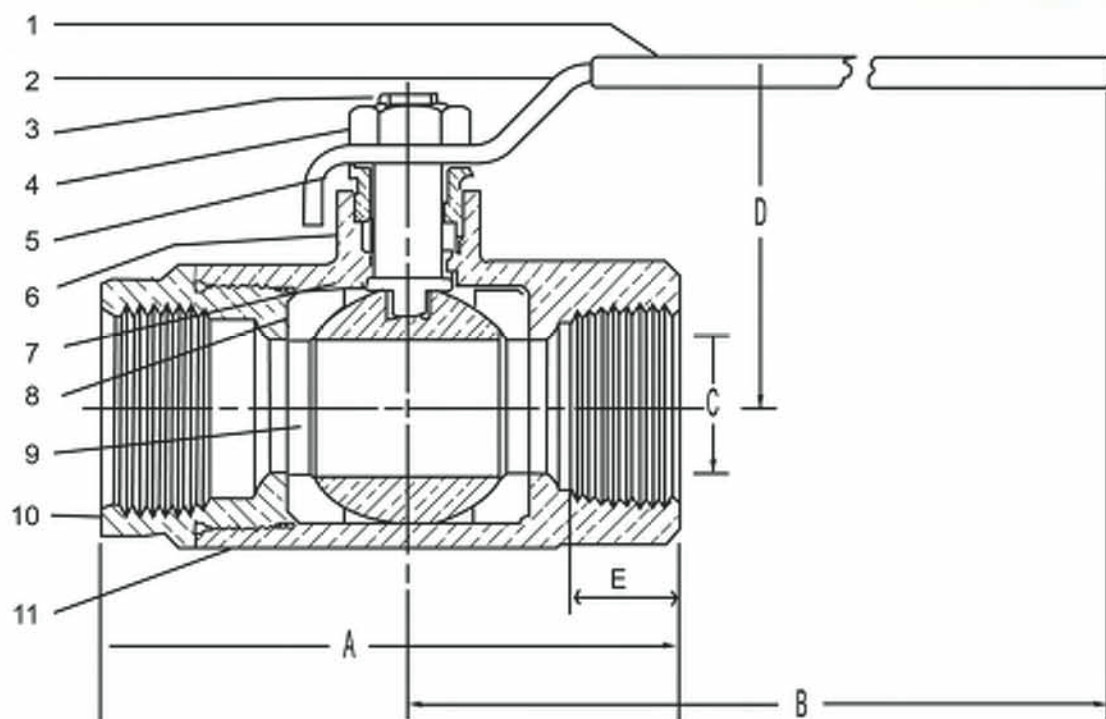
STANDARD PORT

400 psi, Non -Shock Water, Oil, or Gas.

150 psi. Saturated Steam.

Brass Ball Valve

SERIES # 610



Materials List

Part #	Specification
1. Handle Grip	Vinyl
2. Handle	ASTM A 107-1020 Steel
3. Stem	ASTM B16 Brass
4. Handle Nut	Plated Steel
5. Gland	ASTM B16 Brass
6. Packing	TFE
7. Thrust Washer	TFE
8. Seat	TFE
9. Ball	Brass (Chrome Plated)
10. Cap	Brass
11. Body	Brass

Dimension

Unit: inch

SIZE	A	B	C	D	E	Weight
	inch	inch	inch	inch	inch	lbs.
1/2	1.85	3.30	0.40	1.50	0.41	0.342
3/4	2.16	3.30	0.60	1.61	0.55	0.513
1	2.63	4.65	0.80	1.93	0.63	0.904
1-1/4	3.03	4.65	1.00	2.09	0.69	1.245
1-1/2	3.42	5.28	1.25	2.40	0.69	1.900
2	3.82	5.28	1.50	2.60	0.73	2.750
2-1/2	4.88	5.28	2.00	3.23	0.96	5.500
3	5.43	7.87	2.37	3.85	1.06	7.710
4	5.90	7.87	2.91	4.25	1.18	12.340