



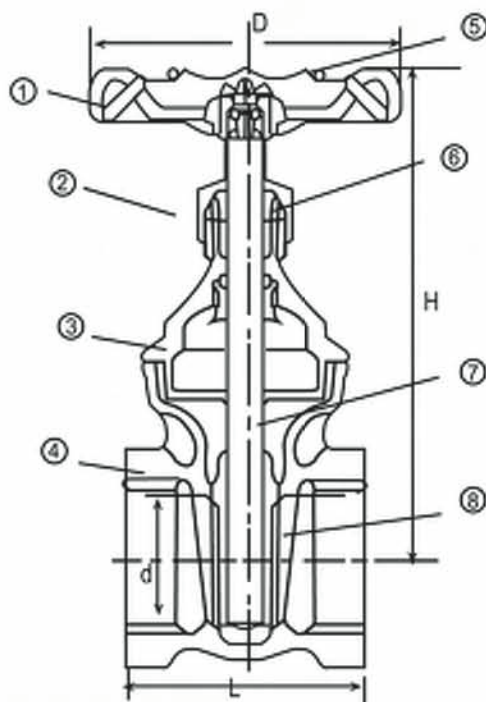
Brass Gate Valves (IPS)

200 WOG

SERIES # 620

No.	Part	Materials
1	Handle Wheel	Cast Iron
2	Packing Nut	Brass Rod
3	Bonnet	Brass Rod
4	Body	Brass Rod
5	Handle Nut	Steel
6	Gland Packing	DUAL O-Ring
7	Stem	Brass Rod
8	DISC	Brass

Size	D	H	L	d	W(Lbs)
1/2"	1.35	2.00	1.03	0.338	0.53
3/4"	1.48	2.28	1.16	0.475	0.73
1"	1.70	2.58	1.25	0.625	0.93
1-1/4"	1.95	2.95	1.44	0.800	1.39
1-1/2"	2.20	3.35	1.50	1.950	1.86
2"	2.44	3.93	1.70	1.225	2.73
2-1/2"	2.55	4.78	2.20	1.550	4.89
3"	2.78	5.45	2.38	1.875	7.44
4"	3.25	6.28	2.90	2.300	11.56



Brass Gate Valves (CxC)

150 WOG

SERIES # 625

No.	Part	Materials
1	Handle Wheel	Cast Iron
2	Packing Nut	Brass Rod
3	Bonnet	Brass Rod
4	Body	Brass Rod
5	Handle Nut	Steel
6	Gland Packing	DUAL O-Ring
7	Stem	Brass Rod
8	DISC	Brass

Size	D	H	L	d	W(Lbs)
1/2"	1.35	2.00	1.03	0.338	0.47
3/4"	1.48	2.28	1.46	0.475	0.54
1"	1.70	2.58	1.73	0.625	0.79
1-1/4"	1.95	2.95	1.88	0.800	1.24
1-1/2"	2.20	3.35	2.08	1.950	1.73
2"	2.44	3.93	2.45	1.225	2.67

