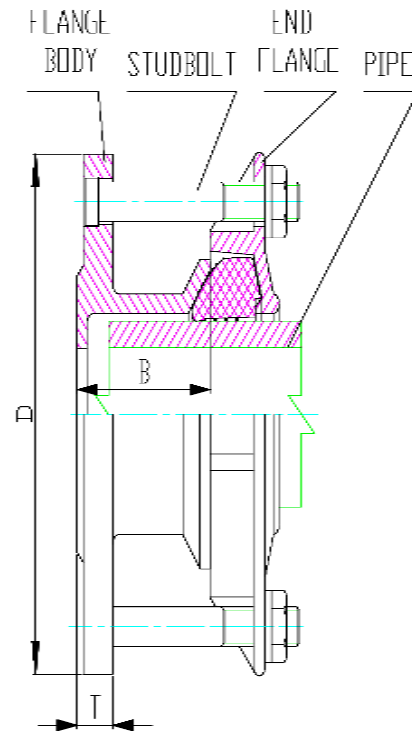


## 906 Series Ductile Iron Flange Adapter



**SPECIFICATIONS**  
• FLANGE DRILLED TO PN16



| PIPE DIMENSIONS | COUPLING DIMENSIONS |             |      |      |      |    |     |      |       |           |              |
|-----------------|---------------------|-------------|------|------|------|----|-----|------|-------|-----------|--------------|
|                 | PIPE DD             | FLANGE SIZE | PN   | D    | T    | B  | NO. | HOLE | PCD K | STUDS     |              |
|                 |                     |             |      |      |      |    |     |      |       | NO.       | DIA x LENGTH |
| 630-650         | 600                 | 16          | ø840 | 35   | 97   | 20 | 37  | 770  | 10    | M14 x 165 |              |
| 48-58           | 40                  | 16          | ø150 | 18   | 67   | 4  | 19  | 110  | 2     | M12 x 140 |              |
| 60-72           | 50                  | 16          | ø165 | 18   | 67   | 4  | 19  | 125  | 2     | M12 x 140 |              |
| 75-84           | 65                  | 16          | ø185 | 18   | 67   | 4  | 19  | 145  | 2     | M12 x 140 |              |
| 88-102          | 80                  | 16          | ø200 | 19   | 67   | 8  | 19  | 160  | 4     | M12 x 140 |              |
| 108-124         | 100                 | 16          | ø220 | 19   | 67   | 8  | 19  | 180  | 4     | M12 x 140 |              |
| 108-128         | 100                 | 16          | ø220 | 19   | 67   | 8  | 19  | 180  | 4     | M12 x 140 |              |
| 125-140         | 125                 | 16          | ø250 | 19   | 67   | 8  | 19  | 210  | 4     | M12 x 140 |              |
| 132-154         | 125                 | 16          | ø250 | 19   | 67   | 8  | 19  | 210  | 4     | M12 x 140 |              |
| 159-175         | 150                 | 16          | ø285 | 19   | 67   | 8  | 23  | 240  | 4     | M12 x 140 |              |
| 159-182         | 150                 | 16          | ø285 | 19   | 67   | 8  | 23  | 240  | 4     | M12 x 140 |              |
| 176-188         | 150                 | 16          | ø285 | 19   | 67   | 8  | 23  | 240  | 4     | M12 x 140 |              |
| 184-198         | 175                 | 16          | ø315 | 19   | 74.5 | 8  | 23  | 270  | 4     | M12 x 150 |              |
| 192-209         | 175                 | 16          | ø315 | 19   | 74.5 | 8  | 23  | 270  | 4     | M12 x 150 |              |
| 192-209         | 200                 | 16          | ø340 | 20   | 74.5 | 12 | 23  | 295  | 4     | M12 x 150 |              |
| 219-234         | 200                 | 16          | ø340 | 20   | 74.5 | 12 | 23  | 295  | 4     | M12 x 150 |              |
| 234-255         | 200                 | 16          | ø340 | 20   | 74.5 | 12 | 23  | 295  | 4     | M12 x 150 |              |
| 242-262         | 225                 | 16          | ø370 | 20   | 89.5 | 12 | 23  | 325  | 4     | M12 x 165 |              |
| 265-280         | 250                 | 16          | ø400 | 22   | 89.5 | 12 | 28  | 325  | 6     | M12 x 165 |              |
| 271-289         | 250                 | 16          | ø400 | 22   | 89.5 | 12 | 28  | 355  | 6     | M12 x 165 |              |
| 284-297         | 250                 | 16          | ø400 | 22   | 89.5 | 12 | 28  | 355  | 6     | M12 x 165 |              |
| 315-331         | 300                 | 16          | ø455 | 24.5 | 89.5 | 12 | 28  | 355  | 6     | M12 x 165 |              |
| 322-340         | 300                 | 16          | ø455 | 24.5 | 89.5 | 12 | 28  | 410  | 6     | M12 x 165 |              |
| 335-348         | 300                 | 16          | ø455 | 24.5 | 89.5 | 12 | 28  | 410  | 6     | M12 x 165 |              |
| 374-391         | 350                 | 16          | ø520 | 26.5 | 97   | 16 | 28  | 470  | 8     | M12 x 165 |              |
| 417-437         | 400                 | 16          | ø580 | 28   | 97   | 16 | 31  | 525  | 8     | M12 x 165 |              |
| 480-500         | 450                 | 16          | ø640 | 30   | 97   | 20 | 31  | 585  | 10    | M12 x 165 |              |
| 526-546         | 500                 | 16          | ø715 | 31.5 | 97   | 20 | 34  | 650  | 10    | M14 x 165 |              |