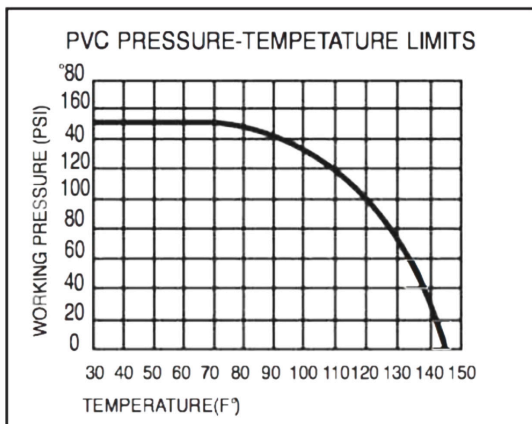
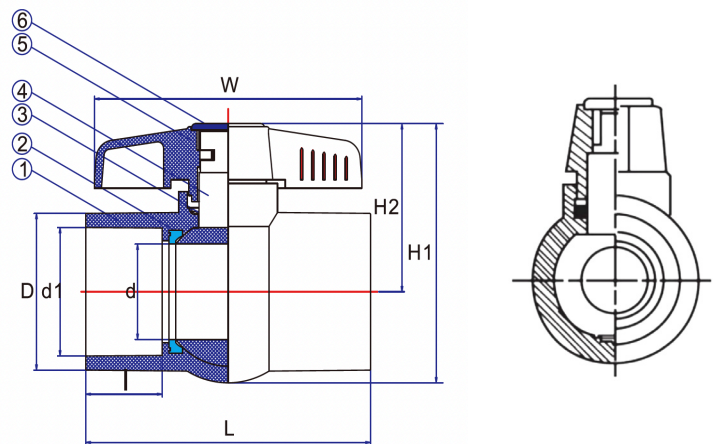


400/401 Series PVC Ball Valve, NPT or Socket



SPECIFICATIONS

- 150 PSI
- LARGE PORT OPENING
- FOR USE WITH SCHEDULE 40 OR 80 PIPE
- QUARTER TURN OPEN OR CLOSED
- THREADED ENDS COMPLY WITH ANSI B1.20.1
- SOLVENT ENDS COMPLY WITH ASTM D2466
- TEMPERATURE: 73°F MAX
- NSF CERTIFIED



COMPONENTS

NO.	PART	QTY	MATERIAL
1	BODY	1	PVC
2	SEAT	2	PTFE
3	O-RING	1	EPDM
4	ONE PIECE BALL & STEM	1	PVC
5	T-HANDLE	1	PVC
6	CAP	1	ABS

MEASUREMENTS

SIZE	NPT Thd./in	ANSI d1	d	D	L	l	w	H1	H2
1/2"	0.55	0.84	0.57	1.26	3.15	0.87	2.70	2.53	1.77
3/4"	0.55	1.05	0.79	1.45	3.62	0.98	3.17	2.99	2.05
1"	0.45	1.31	0.94	1.77	4.17	1.10	3.94	3.70	2.56
1 1/4"	0.45	1.66	1.18	2.11	4.43	1.10	4.25	4.06	2.76
1 1/2"	0.45	1.90	1.34	2.44	5.08	1.30	4.25	4.41	2.89
2"	0.45	2.38	1.73	2.97	5.83	1.56	5.43	4.96	3.19
2 1/2"	0.31	2.87	2.20	3.64	6.99	1.56	3.64	6.54	4.27
3"	0.31	3.50	2.80	4.21	8.23	1.89	7.58	7.13	4.57
4"	0.31	4.50	3.39	5.30	11.57	3.07	10.31	9.29	5.96
6"	—	6.65	5.13	7.30	16.02	4.04	11.89	11.79	7.13