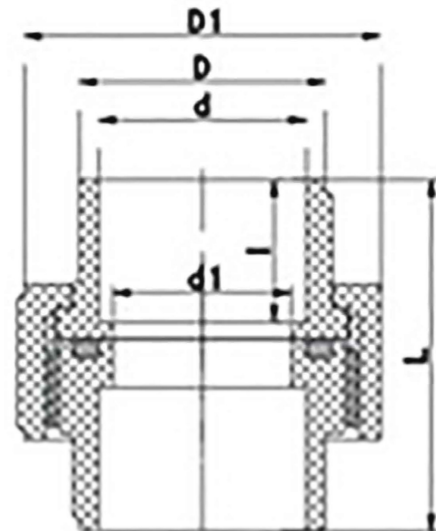


## 420 Series PVC Union



### SPECIFICATIONS

- 150 PSI @ 73°F
- FITS SCHEDULE 40 AND 80 PIPES
- SOLVENT ENDS COMPLY WITH ASTM D2466

MEASUREMENTS							(INCHES)	
SIZE	D1	D	d	d1	l	L		
3/4"	1.89	1.19	0.79	0.59	0.65	1.79		
1"	2.17	1.45	0.98	0.87	0.73	2.03		
1 1/4"	2.17	1.50	1.26	1.08	0.89	2.13		
1 1/2"	2.99	2.05	1.57	1.29	1.03	2.69		
2"	3.35	2.32	1.97	1.57	1.23	2.93		
2 1/2"	3.98	2.87	2.48	2.11	1.48	3.35		