

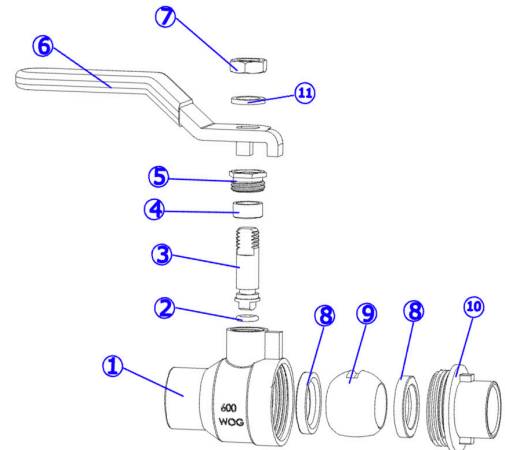
665 Series Lead-Free Ball Valve SWT

SPECIFICATIONS

- LEAD FREE FORGED BRASS
- AB1953
- ISO-9001
- 600 WOG - 150 SWP
- CSA, CUPC CERTIFIED 1/4" - 2"
- FULL PORT
- BLOW OUT PROOF STEM
- PTFE SEATS
- SOLDER ENDS MEET ANSI B16.18
- SIZES 1/4" - 2"
- UL/FM APPROVAL



COMPONENTS		
NO.	BODY PART	MATERIAL
1	BODY	LEAD-FREE BRASS
2	RING	NBR
3	POLE	STAINLESS STEEL
4	RING	PTFE
5	NUT	BRASS
6	HANDLE	PLATED STEEL
7	NUT	PLATED STEEL
8	RING	PTFE
9	BALL	LEAD-FREE BRASS / STAINLESS STEEL
10	BONNET	LEAD-FREE BRASS
11	LOCK WASHER	PLATED STEEL



DIMENSIONS						(INCHES)
PART NO.	SIZE	DN	H	L	W	
660-002	1/4"	0.590	1.811	3.346	2.161	
660-007	3/4"	0.748	2.094	4.291	2.814	
660-010	1"	0.984	2.251	4.291	3.267	
660-012	1 1/4"	1.259	2.527	5.629	4.133	
660-015	1 1/2"	1.574	2.744	5.629	4.330	
660-020	2"	1.940	3.039	5.629	5.334	

