

670 Series Lead-Free Ball Valve IPS

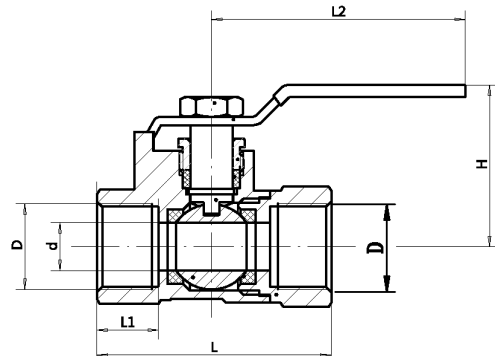
SPECIFICATIONS

- LEAD-FREE FORGED BRASS
- AB1953
- ISO-9001
- 400 WOG - 150 SWP
- BLOW OUT PROOF STEM
- PTFE SEATS
- THREADED ENDS COMPLY WITH ANSI B1.20.1
- SIZES 1/4" - 4"
- UL/FM APPROVAL



COMPONENTS

NO.	BODY PART	MATERIAL
1	BODY	LEAD-FREE BRASS
2	STEM	BRASS
3	RING	PTFE
4	NUT	BRASS
5	HANDLE	PLATED STEEL
6	NUT	PLATED STEEL
7	RING	PTFE
8	BALL	LEAD-FREE BRASS / STAINLESS STEEL
9	BONNET	LEAD-FREE BRASS



DIMENSIONS

DIMENSIONS (INCHES)						
PART NO.	SIZE	H	L	L1	d	L2
670-002	1/4"	1.50	1.73	0.45	0.35	3.47
670-003	3/8"	1.50	1.73	0.45	0.35	3.47
670-005	1/2"	1.56	1.91	0.49	0.47	3.47
670-007	3/4"	1.65	2.07	0.49	0.59	3.47
670-010	1"	2.34	2.64	0.69	0.79	4.65
670-012	1 1/4"	2.48	2.97	0.75	0.98	4.65
670-015	1 1/2"	2.85	3.33	0.73	1.26	5.47
670-020	2"	3.03	3.68	0.75	1.54	5.47

