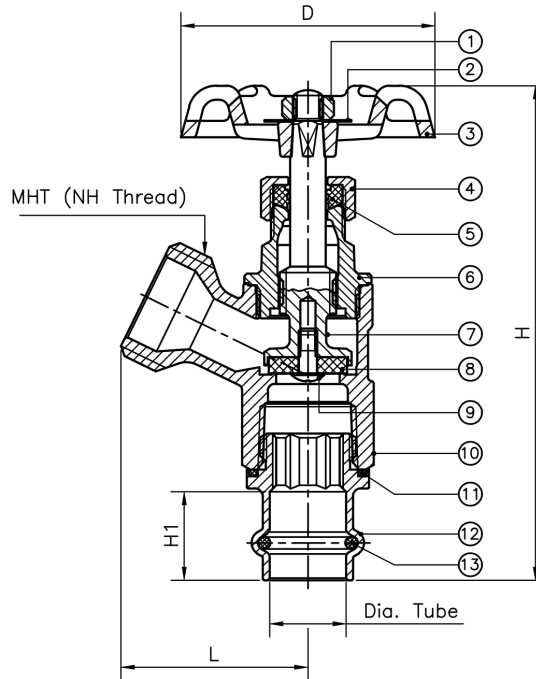
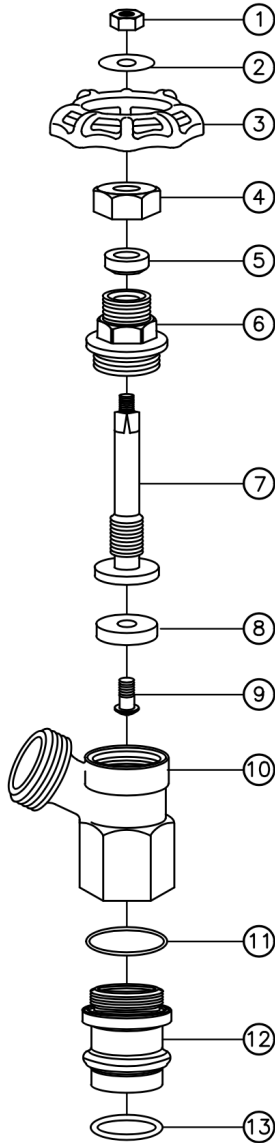


695 Series Brass + Press Boiler Drain

SPECIFICATIONS

- TEMPERATURE RATING MAX. 160°F
- PRESSURE RATING MAX. 125 PSI


COMPONENTS

NO.	PART NAME	MATERIAL	QTY	WATER CONTACT
1	NUT	HOT ROLLED SAE 1010R	1	N
2	NAME PLATE	ALUMINUM A1100	1	N
3	HANDLE	CAST IRON JIS ZZ2202	1	N
4	PACKING NUT	BRASS ROD C37700	1	N
5	PACKING	RUBBER NBR SN-719F	1	Y
6	BONNET	CAST BRASS C46400 MOD	1	Y
7	STEM	CAST BRASS C46400 MOD	1	Y
8	SEAT PACKING	RUBBER NBR SN-819F	1	Y
9	SCREW	FORGED BRASS C26000	1	Y
10	BODY	CAST BRASS C46400 MOD	1	Y
11	O-RING	RUBBER NBR SE-719F	1	Y
12	NIPPLE	BRASS ROD C46400	1	Y
13	O-RING	RUBBER NBR SE-719F	1	Y

DIMENSIONS
(INCHES)

SIZE	DIA. TUBE	D	H	H1	L	MHT
1/2" PRESS FITTING × 3/4" MHT	0.64	2.09	4.14	0.74	1.50	3.4"-11.5NH
3/4" PRESS FITTING × 3/4" MHT	0.89	2.09	4.29	0.87	1.50	3.4"-11.5NH