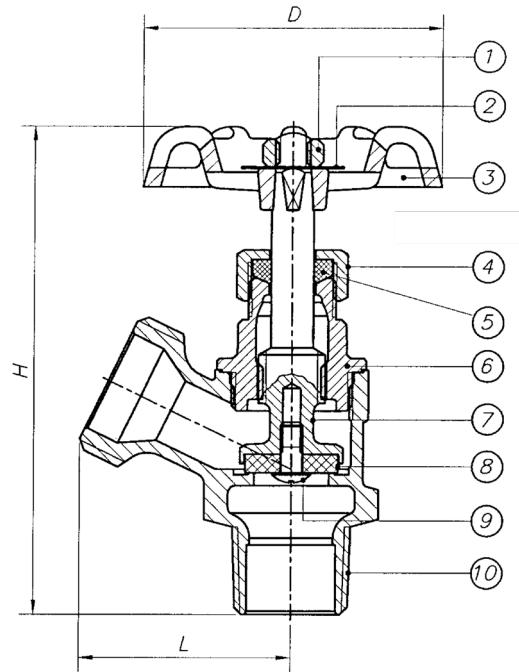


## 696 Series Lead-Free Brass Boiler Drain MIP × MHT



### SPECIFICATIONS

- LEAD-FREE FORGED BRASS
- 3/4 HOSE THREAD OUTLET
- HOSE THREAD END COMPLIES WITH ANSI B1.20.7
- 150 WOG
- ANSI B1.20.1 THREADED END

DIMENSIONS		(INCHES)		
SIZE	D	H	L	
1/2" MIP × 1/2" FC×C × 3/4" MHT	2.09	3.50	1.46	
3/4" MIP × 3/4" MHT	2.09	3.58	1.46	

COMPONENTS		
NO.	BODY PART	MATERIAL
1	WHEEL NUT	HOT ROLLED SAE 1010R
2	NAME PLATE	ALUMINUM A1100
3	HANDWHEEL	CAST IRON JISZZ2202
4	PACKING NUT	BRASS ROD C37700
5	GLAND PACKING	NBR SN-919F (2)
6	BONNET	CAST BRASS C46400
7	STEM	CAST BRASS C46400
8	SEAT PACKING	NBR SN-919F (2)
9	SEAT SCREW	FORGED BRASS C2600
10	BODY	CAST BRASS C46400