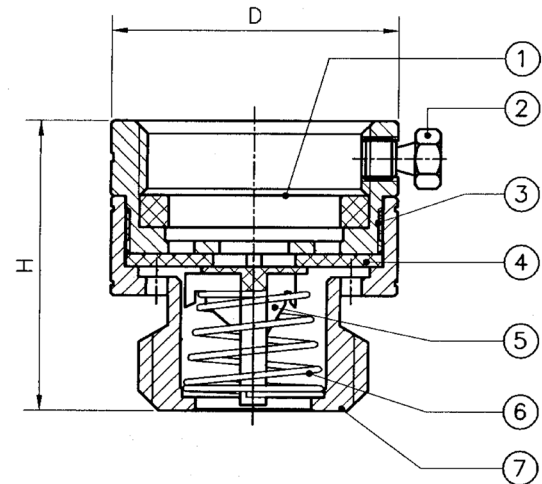


710NL Series Lead-Free Brass Vacuum Breaker FHT × MHT



SPECIFICATIONS

- SIZE: 3/4"
- FOR DRINKING WATER

DIMENSIONS		(INCHES)	
SIZE	D	H	
3/4" FHT × 3/4" MHT	1.31	1.33	

COMPONENTS		
NO.	BODY PART	MATERIAL
1	PACKING	NBR SN-719F (2)
2	BOLT	BRASS ROD C37700 STAINLESS STEEL 304
3	HOSE BONNET	BRASS ROD C46400
4	PACKING	NBR SN-719F (2)
5	SPRING SEAT	POM M90 FORMOCON FM090 CF500P
6	SPRING	STAINLESS STEEL 304
7	HOSE BODY	BRASS ROD C46400

