

802IP Series Flanged NRS Post Indicator Valve

SPECIFICATIONS

- COMPLIES WITH AWWA C515 STANDARD
- NON-RISING STEM
- SIZES 4" TO 12" INCLUDE INDICATOR POST PLATE OTHER SIZES – PLATE PROVIDED UPON REQUEST
- TRIPLE O-RINGS STEM SEAL
- NPT PLUG ON BODY
- FLANGES TO ANSI B16.1 CLASS 125 (OTHER FLANGE TYPES AVAILABLE UPON REQUEST)
- UL LISTED / FM APPROVED
- CERTIFIED TO NSF/ANSI 61 & 372

WORKING PRESSURE

- 300 PSI

WORKING TEMPERATURE

- 42°F TO 180°F

CORROSION PROTECTION

- FUSION BONDED EPOXY COATED INTERIOR AND EXTERIOR TO AWWA C550 STANDARD

CORROSION PROTECTION

- FUSION BONDED EPOXY COATED INTERIOR AND EXTERIOR TO AWWA C550 STANDARD

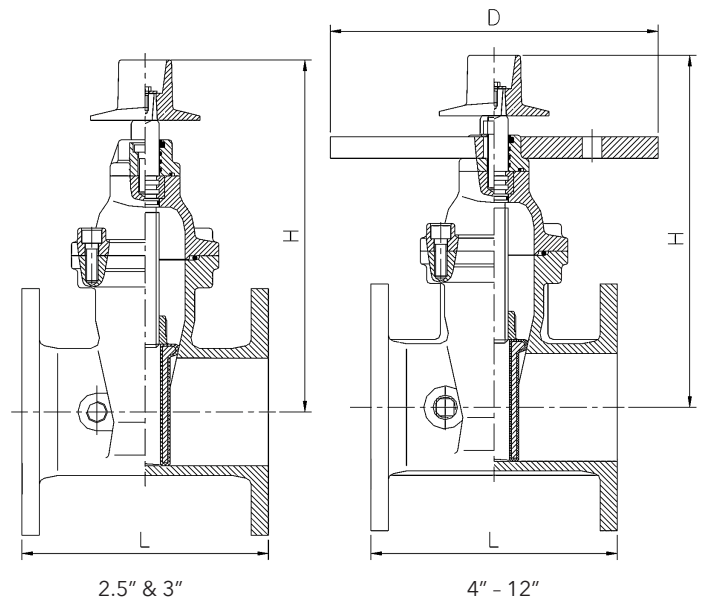
INSTALLATION

- VALVES INSTALLED IN HORIZONTAL PIPING SYSTEMS SHOULD HAVE THE STEMS ORIENTED VERTICALLY
- VALVES INSTALLED IN VERTICAL PIPING SYSTEMS SHOULD HAVE THE STEMS ORIENTED HORIZONTALLY



COMPONENTS

PART NAME	MATERIAL	ASTM SPECIFICATIONS
BODY	DUCTILE IRON	A536 65-45-12
WEDGE	DUCTILE IRON, EPDM ENCAPSULATED	
WEDGE NUT	BRONZE	B62 C83600
STEM	STAINLESS STEEL	AISI 420
BONNET	DUCTILE IRON	A536 65-45-12
GASKET	RUBBER	EPDM
GLAND	DUCTILE IRON	A536 65-45-12
THRUST COLLAR	BRONZE	B62 C83600
O-RING	RUBBER	EPDM
POST FLANGE	DUCTILE IRON	A536 65-45-12
OPERATING NUT	DUCTILE IRON	A536 65-45-12
NPT PLUG	MALLEABLE IRON	COMMERCIAL
POST FLANGE BOLT	STAINLESS STEEL	AISI 316
BONNET BOLT	STAINLESS STEEL	AISI 304



DIMENSIONS

SIZE	(INCHES)								
	2.5"	3"	4"	5"	6"	8"	10"	12"	
L	7 1/2	8	9	10	10 1/2	11 1/2	13	14	
H	10 5/8	11 5/8	13 3/4	16 1/8	17 15/16	21 7/16	25 3/8	28 3/4	
D	–	–	12	12	12	12	12	12	
WEIGHT (LBS)	31	41	64	79	103	161	235	339	