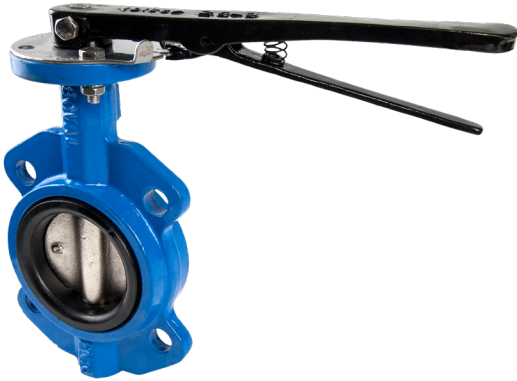


840 Series Cast Iron Wafer Butterfly Valve with Ductile Disc

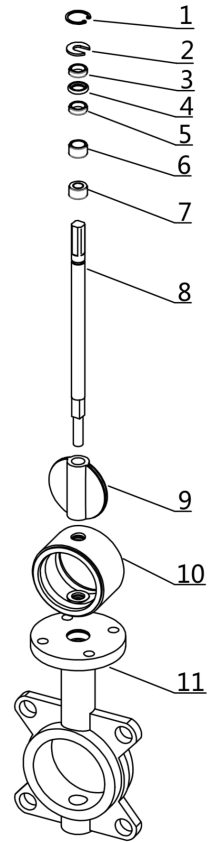
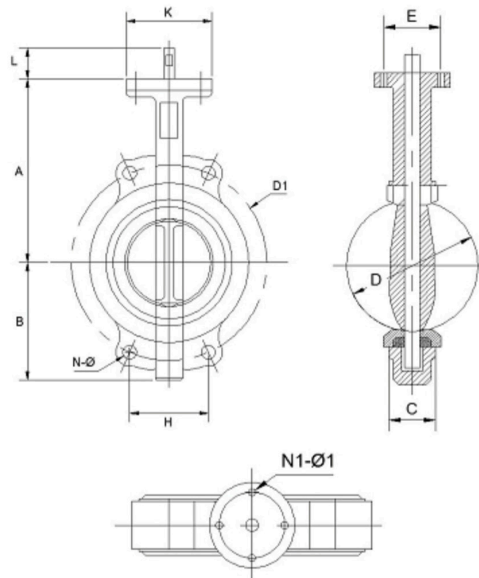


SPECIFICATIONS

- WAFER CONNECTION
- CAST IRON BODY
- DUCTILE IRON DISC
- LEVER HANDLE
- SIZES 2" - 24"
- WORKING PRESSURE: 200 PSI
- TEST PRESSURES: SHELL 348 PSI | SEAT 255 PSI

COMPONENTS

NO.	PART NAME	MATERIAL
1	CLIP (HOLE)	ALLOY STEEL
2	CLIP (STEM)	ALLOY STEEL
3	SHORT BUSHING (U)	PTFE
4	O-RING	EPDM
5	SHORT BUSHING (L)	PTFE
6	LONG BUSHING (U)	PTFE
7	LONG BUSHING (L)	PTFE
8	STEM	SS416 / SS420
9	DISC	DUCTILE IRON
10	SEAT	EPDM
11	BODY	CAST IRON



DIMENSIONS

SIZE	A	B	C	D	E	K	L	H	D1	N-Ø	N1-Ø1	0-2	WEIGHT (LB)
2	5.28	3.15	1.65	2.08	2.76	3.54	1.26	3.36	4.75	4-3/4"	4-3/8"	0.50	5.51
2 1/2"	5.55	3.50	1.80	2.54	2.76	3.54	1.26	3.89	5.50	4-3/4"	4-3/8"	0.50	7.05
3"	6.18	3.74	1.80	3.10	2.76	3.54	1.26	4.24	6.00	4-3/4"	4-3/8"	0.50	7.94
4"	6.57	4.49	2.05	4.09	2.76	3.54	1.26	2.87	7.50	4-3/4"	4-3/8"	0.52	10.8
5"	7.01	5	2.17	4.85	2.76	3.54	1.26	3.25	8.50	4-7/8"	4-3/8"	0.74	15.43
6"	7.64	5.47	2.2	6.11	2.76	3.54	1.26	3.64	9.50	4-7/8"	4-3/8"	0.74	17.2
8"	9.49	6.89	2.43	7.97	4.02	4.92	1.77	4.50	11.75	4-7/8"	4-1/2"	0.87	29.1
10"	11.61	7.99	2.65	9.86	4.02	4.92	1.77	3.69	14.25	4-1"	4-1/2"	1.12	42.33
12"	12.52	9.53	3.03	11.87	4.02	5.51	1.77	4.40	17.00	4-1"	4-1/2"	1.24	71.65
14"	14.49	10.51	3.01	13.12	4.02	5.51	1.77	4.85	18.75	4- 1 1/8"	4-1/2"	1.24	91.05
16"	15.75	12.17	3.41	15.34	5.51	7.76	2.05	4.15	21.25	4- 1 1/8"	4-11/16"	1.31	134.48
18"	16.61	12.91	4.16	17.34	5.51	7.76	2.05	4.44	22.75	4- 1 1/4"	4-11/16"	1.50	174.17
20"	18.9	14.21	5.19	19.35	5.51	7.76	2.56	3.91	25.00	4-1 1/4"	4-11/16"	1.62	282.19
24"	22.13	18.07	5.98	23.33	6.50	10.87	5.75	4.61	29.50	20-1 3/8"	4-7/8"	1.99	414.47