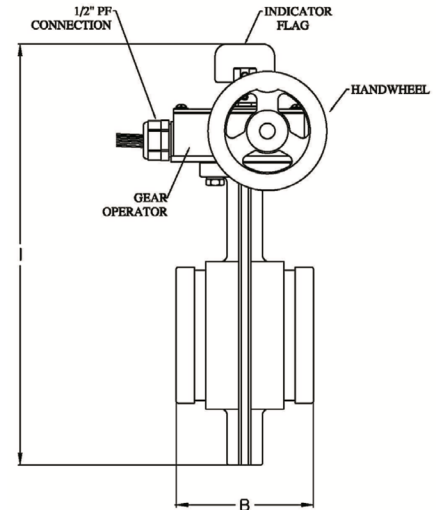
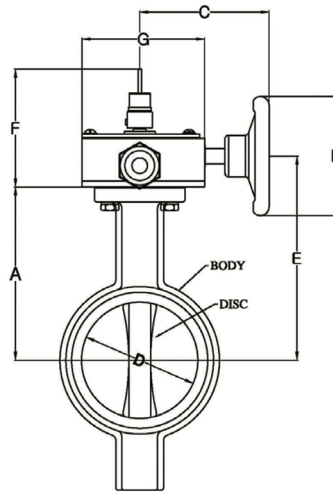


## 849 Series Butterfly Valve



### SPECIFICATIONS

- WORKING PRESSURE: 300 PSI
- MAX. TEST PRESSURE: 600 PSI
- TEMPERATURE RANGE: ~250°F
- IP65 RATED GEARBOX – BRONZE TRAVELING NUT GEARBOX WITH INTERNAL DUAL SWITCH IN DUCTILE IRON HOUSING
- FACTORY INSTALLED UL APPROVED TEMPERED SWITCH FOR INDOOR AND OUTDOOR US
- BLACK HANDWHEEL AVAILABLE

### COMPONENTS

PART NAME	MATERIAL
BODY	ASTM A536 NYLON-11 COATED
DISC	ASTM A536 EPDM ENCAPSULATED
STEM	AISI 410
SIGNAL GEARBOX	ASTM A536
HANDWHEEL	ASTM A536
O-RING	EPDM

### DIMENSIONS

SIZE	PIPE OD	A	B	C	D	E	F	G	H	I	WEIGHT (LBS.)
2"	2.37	3.86	3.80	4.24	2.37	4.90	3.90	4.13	3.94	10.63	10.8
2 1/2"	2.88	4.48	3.80	4.24	2.88	5.50	3.90	4.13	3.94	11.72	11.2
3	3.50	4.73	3.80	4.24	3.50	5.76	3.90	4.13	3.94	12.22	12.6
4	4.50	5.73	4.54	4.24	4.50	6.75	3.90	4.13	3.94	13.92	15.6
5	5.56	6.54	5.21	5.79	5.56	7.93	4.29	4.88	5.90	16.01	26.24
6	6.63	7.07	5.21	5.79	6.63	8.45	4.29	4.88	5.90	17.07	28.7
8	8.63	8.03	5.80	5.79	8.63	16.10	4.29	4.88	8.86	19.20	36.37