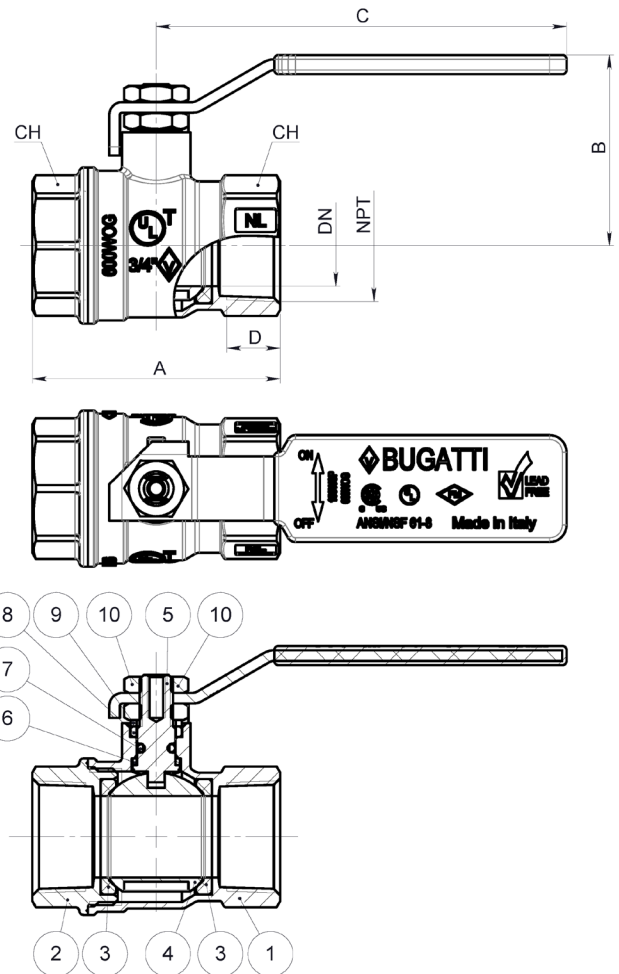


## 609-9241NL Series Bugatti Forged Brass Ball Valve Lead-Free Valve F/F, Large Steel Handle



- ASSEMBLY IN RIGID PIPE SYSTEM
- KV: FLOW COEFFICIENT M<sup>3</sup>/H
- DIRECTION OF FLOW: BOTH DIRECTIONS
- TEMPERATURE RANGE: -20°C / +120°C
- MAXIMUM PRESSURE:
  - 600 WOG (WATER, OIL, GAS)
  - 70 PSI LP GAS
  - 150 WSP (WORKING STEAM PRESSURE)
- UL / FM / CSA / NSF
- LEAD-FREE

### SPECIFICATION

THREAD ENDS	ANSI B 1.20.1
ORIFICE	0.57 TO 1.96
ACTUATOR	90° ROTATION WITH MECHANICAL STOP
OPERATOR	STEEL HANDLE (LARGE), PVF COATED

### DIMENSIONS (INCHES)

SIZE	DN	A	B	C	D	CH
1/2"	0.57	2.09	1.57	3.35	0.46	0.98
3/4"	0.75	2.28	1.77	3.80	0.49	1.22
1"	0.94	2.80	2.03	3.80	0.59	1.50
1 1/4"	1.24	3.23	2.32	4.72	0.62	1.85
1 1/2"	1.49	3.70	2.60	4.72	0.64	2.13
2"	1.96	4.13	3.27	6.38	0.65	2.64

### COMPONENTS

NO.	PART NAME	MATERIAL	QTY
1	BODY	CW510L, ANNEALING	1
2	END CONNECTION	CW510L, ANNEALING	1
3	BALL SEAL	PTFE	2
4	BALL	CW510L, NI+CR PLATED	1
5	STEM	CW614N	1
6	LOWER SEAL	PTFE	1
7	O-RING	NBR70SH	1
8	UPPER SEAL	PTFE	1
9	BRASS RING	CW614N	1
10	NUT	STEEL, ZINC PLATED	2
11	HANDLE	STEEL	1