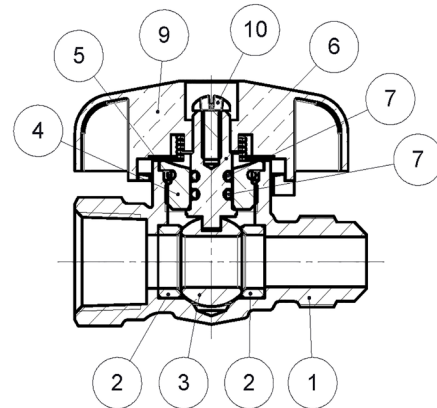
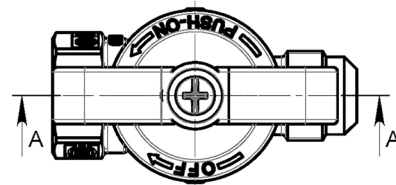
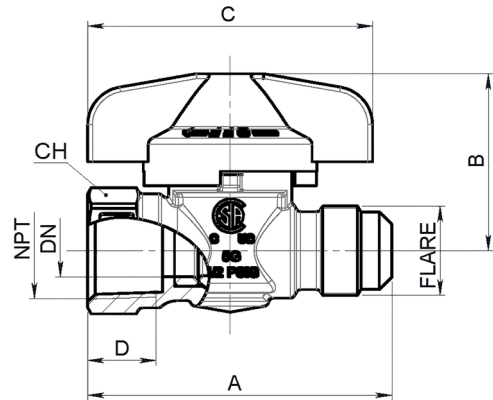


9686 Series

Bugatti One Piece Body Ball Valve F/Flare with Safety Handle



- ASSEMBLY IN RIGID PIPE SYSTEM
- NOMINAL PRESSURE (PN) IN BAR: 200 PSI
- DIRECTION OF FLOW: BOTH DIRECTIONS
- TEMPERATURE RANGE: -4°F TO 140°F
- USE: GAS



SPECIFICATION

THREAD ENDS	FEMALE/FLARE ANSI B1.20.1/SAE J513
ORIFICE	0.28 TO 0.50
ACTUATOR	ALUMINUM LEVER HANDLE
OPERATOR	90° ROTATION WITH MECHANICAL STOP

COMPONENTS

NO.	PART NAME	MATERIAL	QTY
1	BODY	CW617N	1
2	BALL SEAL	PTFE	2
3	BALL	CW617N, NI+CR PLATED	1
4	COMPRESSION RING	CW614N	1
5	O-RING	NBR70SH	1
6	STEM	CW614N	1
7	O-RING	NBR70SH	2
8	SPRING	AISI 302	1
9	SAFETY HANDLE	ALUMINUM	1
10	SCREW	STEEL, ZINC PLATED	1

DIMENSIONS

		(INCHES)						
SIZE	FLARE	DN	A	B	C	D	CH	
1/2"	9/16" (9/16"-24)	0.28	2.24	1.46	2.28	0.54	0.98	
1/2"	3/8" (5/8"-18)	0.28	2.40	1.46	2.28	0.54	0.98	
1/2"	1/2" (3/4"-16)	0.41	2.48	1.46	2.28	0.54	0.98	
1/2"	15/16" (1/2"-20)	0.43	2.89	1.46	2.28	0.54	0.98	
3/4"	1/2" (3/4"-16)	0.43	2.76	1.61	2.28	0.56	1.22	
3/4"	5/8" (7/8"-14)	0.50	2.83	1.61	2.28	0.56	1.22	
3/4"	15/16" (15/16"-16)	0.50	2.83	1.61	2.28	0.56	1.22	